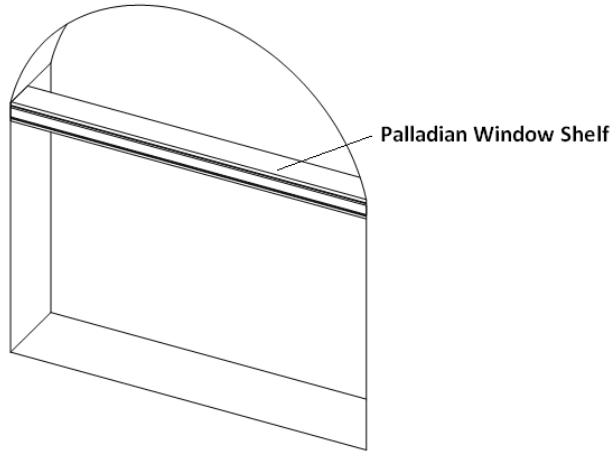


## Installation Instructions

### Palladian Window Shelf



#### Getting Started

Remove shelf from the package. Be sure to keep the packaging until finish installation and working to your satisfaction. Please take a moment to review the following installation guide for proper installation.

#### Tools:

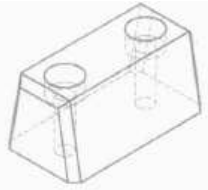
- \*Level
- \*Measuring Tape
- \*Pencil
- \*Power drill



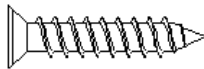
#### Check Hardwares

Check your package for contents need for proper installation.

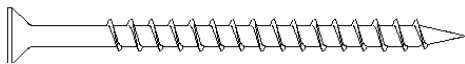
Trapezoidal Block /Screws	Qty (pcs)
Trapezoidal Block	2
M4X20mm Screw	2
M4.5x63.5mm Screw	4



Trapezoidal Block



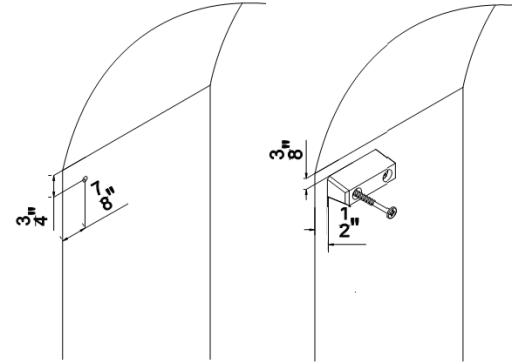
M4X20mm Screw



M4.5x63.5mm Screw

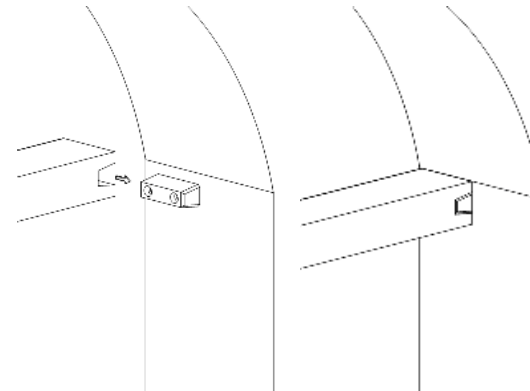
#### Step 1: Install Trapezoidal Block

- \*Measure the first screw location and mark on the wall, drill screw holes.
- \*Use M4.5x63.5mm screws to secure trapezoidal blocks.
- \*The two screws holes in the trapezoidal block should be in the same level.



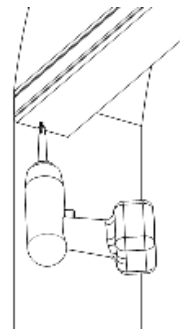
#### Step 2: Install Palladian Window Shelf

\*Align the mouth of Palladian Window Shelf to the Trapezoidal Block and push it in.



\*Use M4X20mm screws to fix Palladian Window shelf and trapezoidal blocks at both sides,

\*The screws holes are pre-drilled.



#### Finished