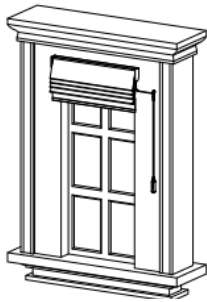
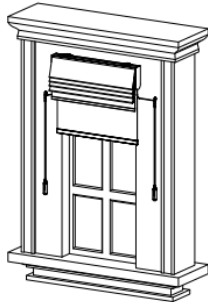


Installation Instructions

AutoWand Motorized



AutoWand Motorized



AutoWand Motorized Dual




- Please take a moment to review the following installation guide.
- Please leave shade in folded open position for ease of installation
- Be sure to keep all components and packaging until shade is fully installed

Recommended Tools-----




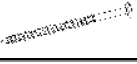
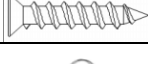



- Power drill and Drill bit
- Tape Measure
- Screwdriver
- Level
- Pencil



Fasteners needed for different mounting surfaces:

Surface	Fastener
Wood	1 1/2" Screw (Provided) 
Drywall/Plaster	Wall Anchors, Expansion Bolts (Not Provided) 
Metal	Sheet Metal Screws (Not Provided) 

Hardware Included

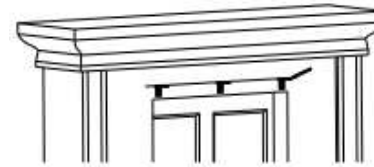
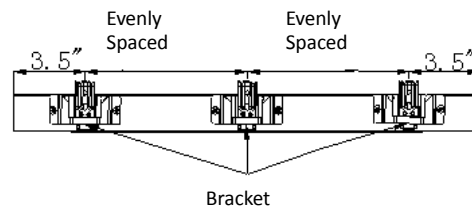
Name	Picture
Outside Mount Male Bracket	
Inside Mount Male Bracket	
1 1/2" Screw	
2 1/2" Screw (when use spacer block)	
18mm Screw	
Hook for Wand	
Spacer Block	
9/16" Screw	

1. To mark the brackets

Step 1: Position the shade inside or outside (depending on the version) the window opening. Make a mark along the end of the headrail on both sides on the mounting surfaces.

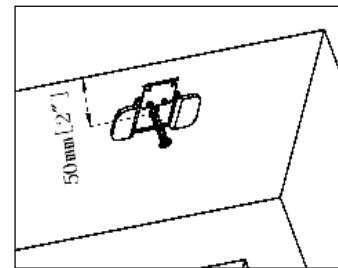
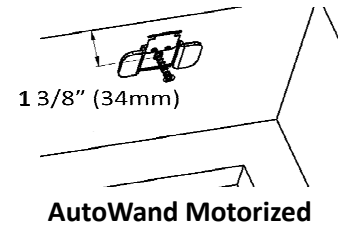
Step 2: Mark the positions where you will install the brackets, 3.5" (89mm) in from each side of the shade.

**** Proper alignment of brackets will make installation easier.**



A. Mounting the brackets inside a window frame

- When flush inside mount, allocate a min. distance of 1 3/8" (34mm) for AutoWand Motorized, while 2" (50mm) for AutoWand Motorized dual from the edge of the wall to the center of the screw hole.

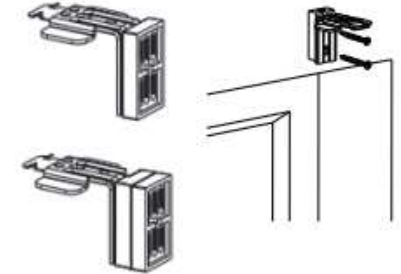


- For semi-inside mount, it should be at least 3/4" (19mm) from the center of screw hole to the edge of the wall.

-Use one 1 1/2" Screw to secure brackets.

B. Mounting the brackets outside a window frame

The combination of bracket and one spacer block will be used. Put the spacer block at the back of the bracket as pictured below, and then attach the combination with 2pcs 2.5" screws.

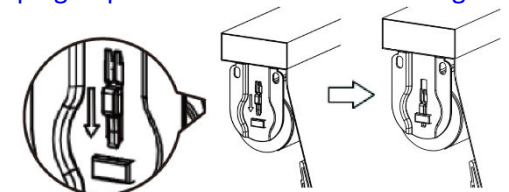


⚠ Note: If additional spacer block is required, please install it as above picture.

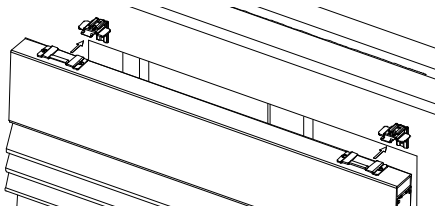
2. To mount the shade

Shade Installation is the same for both inside and outside mount applications

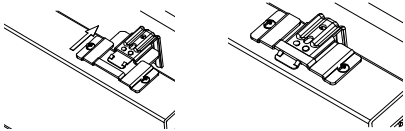
For AutoWand Motorized and AutoWand Motorized Dual, before installing the shade into the mounting brackets, please locate the lock pin in the shade bracket on the end plug side. Slide the pin downward into the end plug to prevent the shade from falling.



Step 1: Align the female bracket on the shade to the male bracket.



Step 2: Slide the female bracket on the shade into the male bracket until it snaps into place. **If more than two brackets are used, it is recommended to attach the center female bracket into the male bracket first, and then attach the female bracket at each end.**



Step 3: If the female brackets are a little off from the male bracket, the position of the female brackets can be adjusted by moving left or right 8mm (5/16").

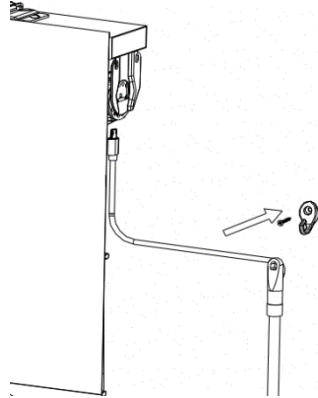
Note: To make the installation easily, please do the best to eliminate the deviation of the placement of bracket, to make sure the male bracket is in the middle of the female bracket.



3. To Install the Power Wand

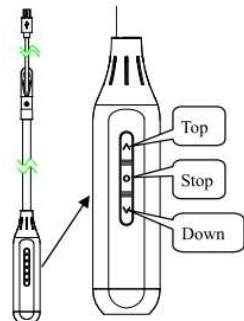
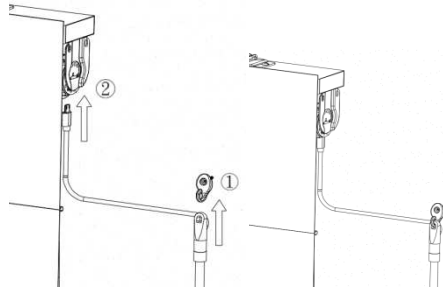
A. Install the Hook

After the shade is well installed, please mark the position where you will install the hook for the Power Wand. Please make sure the Power Wand can connect to the motor after it is attached to the hook. Use one 18mm screw to fix the hook.



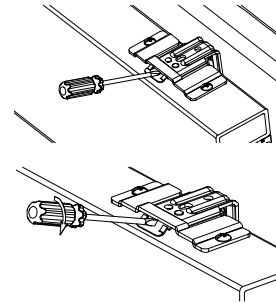
B. Operate the Shade

First please attach the Power Wand to the hook, and connect the cable of power and to the motor, and then the shade will turn on automatically.

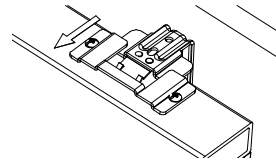


To remove the shade

Step 1: Insert the screwdriver into the space between the female and male bracket. Separate male bracket apart from the female bracket by revolving the screwdriver as pictured below. **If more than two brackets are used, it is recommended to separate the bracket at each end first, and then separate the one in the center.**



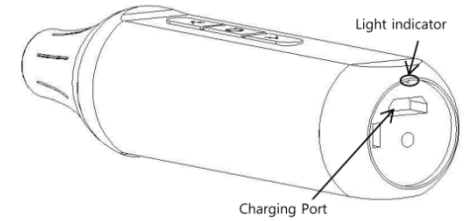
Step 3: Gently pull the shade outward to remove the shade.



Recharge the Power Wand

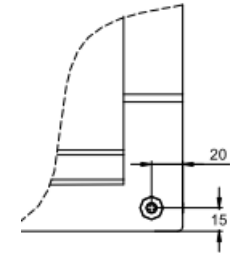
If the motor beeps during the shade running, it means low voltage of the motor. Charge the motor with 5V USB charger via the power wand.

When the motor is recharging, the indicator at the bottom of the power wand will flash red, and it will change to green light when the motor is fully charged.



Magnetic hold down (optional)

- The magnets are pre-installed on the back of shade at both bottom sides, 3/4" (20mm) to the side edge, and 9/16" (15mm) to the bottom edge.



- After the shade is installed, please fully lower the shade and mark the position for the magnet catch on the window frame to match the magnets on the shade, and fix it with one 9/16" screw. When the shade is lowered fully, it will be pulled at the magnet catch.

